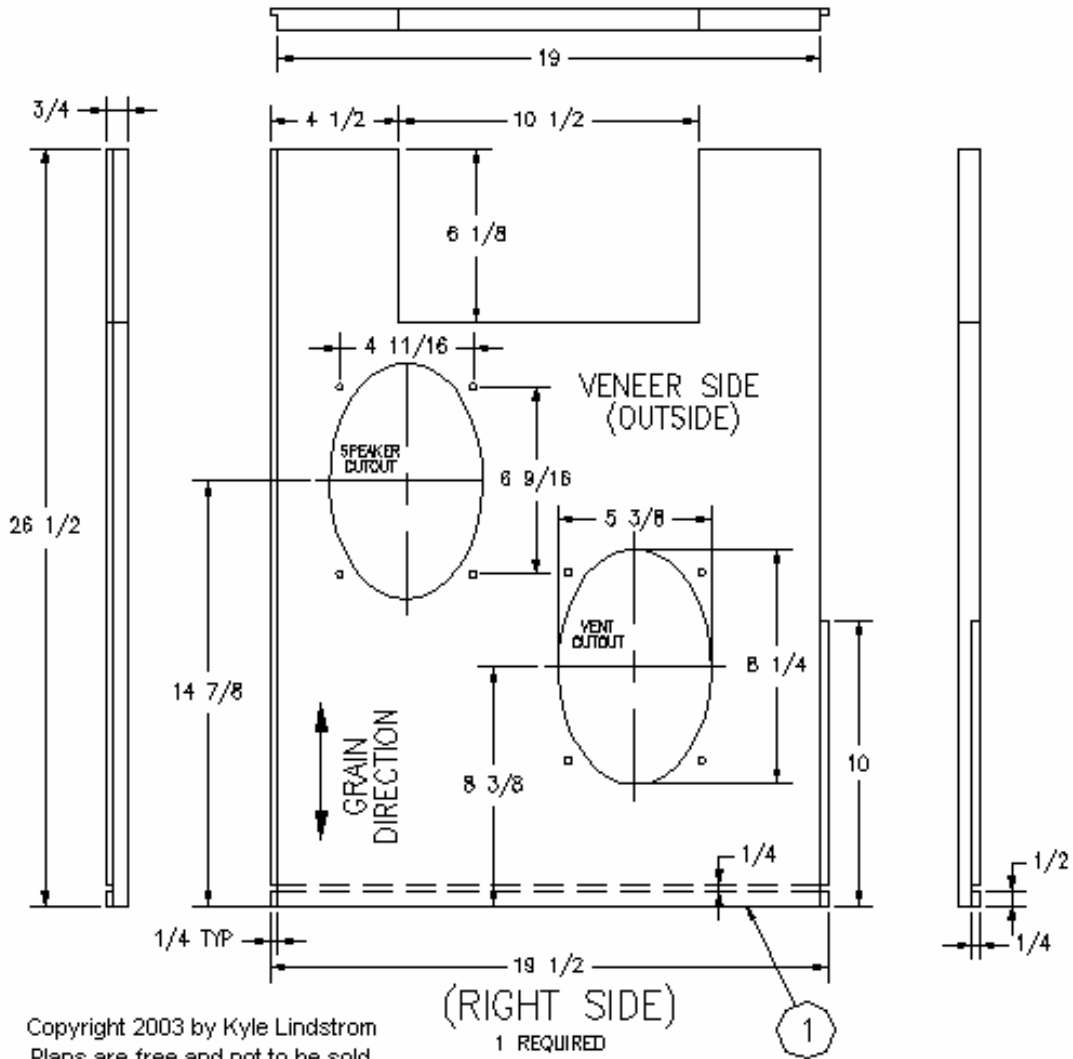
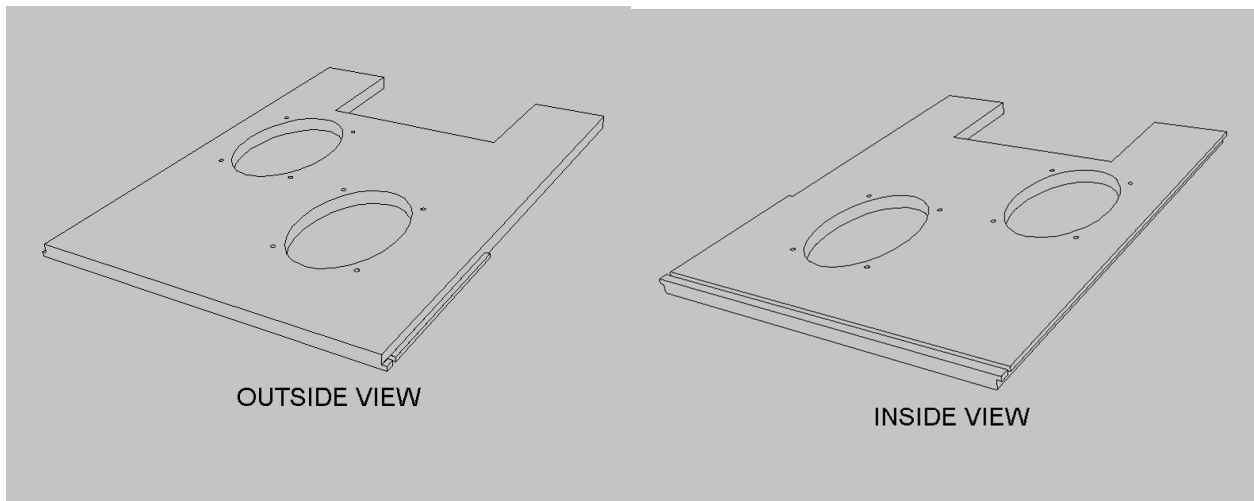


DETAIL OF ITEM 1



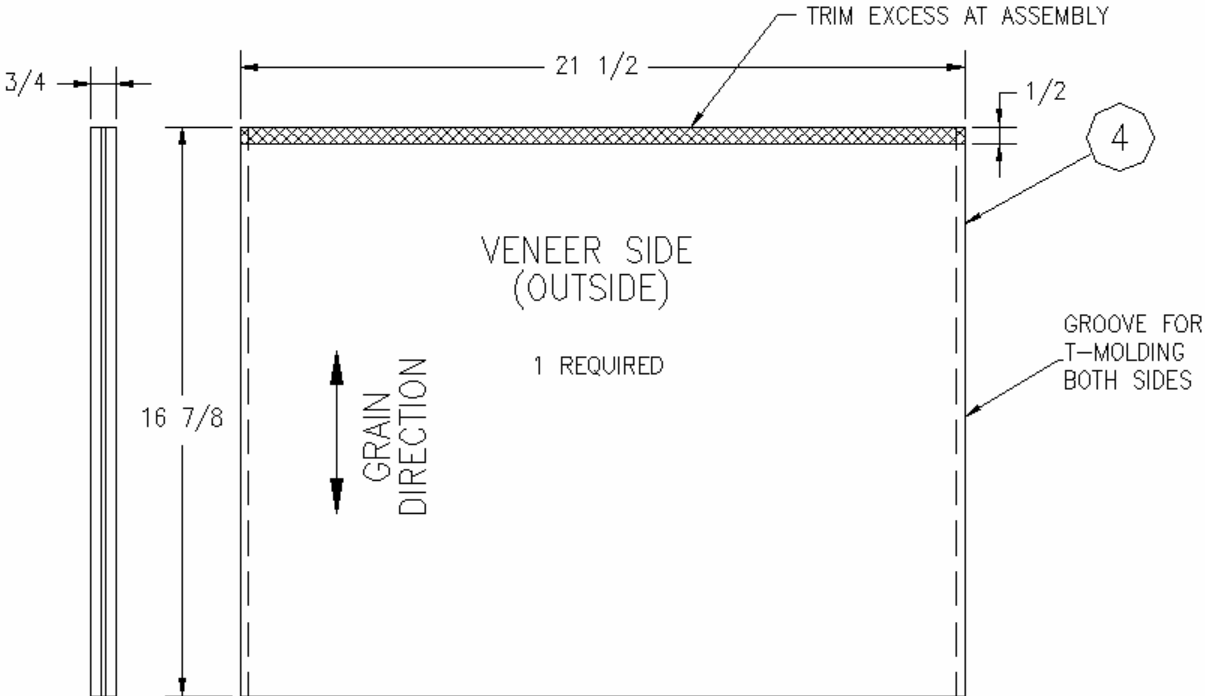
Copyright 2003 by Kyle Lindstrom
Plans are free and not to be sold



OUTSIDE VIEW

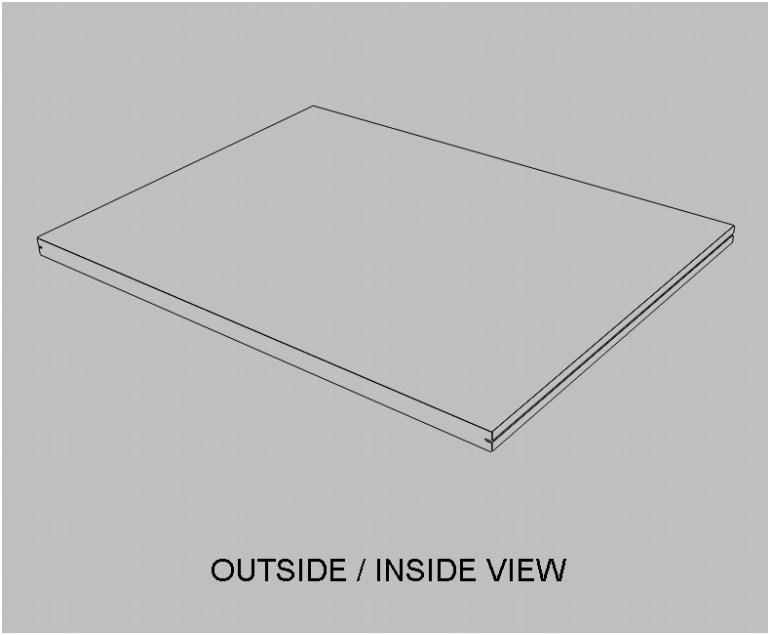
INSIDE VIEW

DETAIL OF ITEM 4

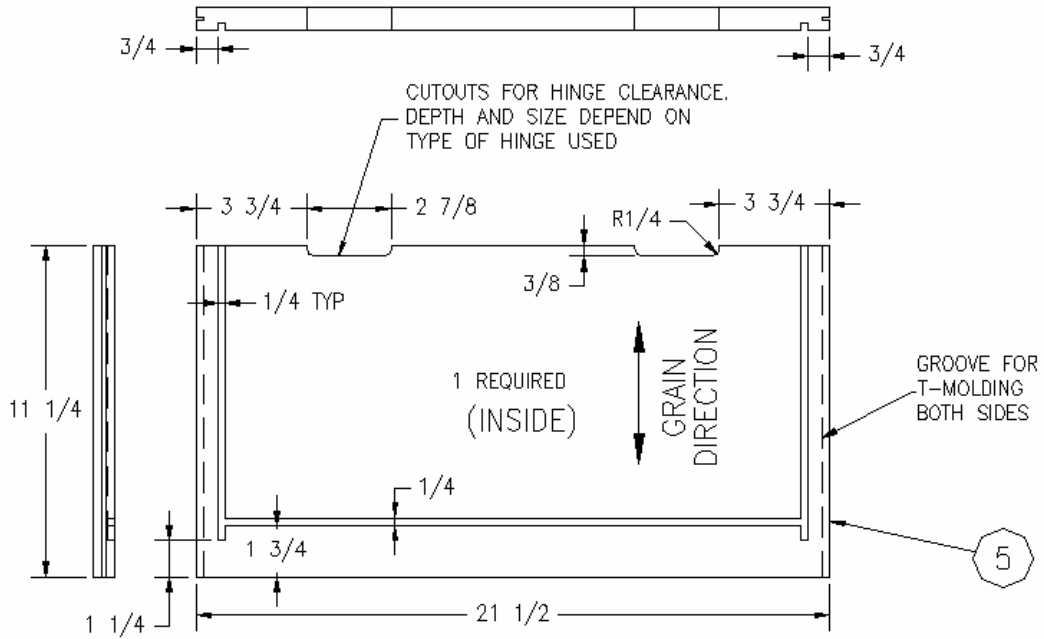


Copyright 2003 by Kyle Lindstrom
Plans are free and not to be sold

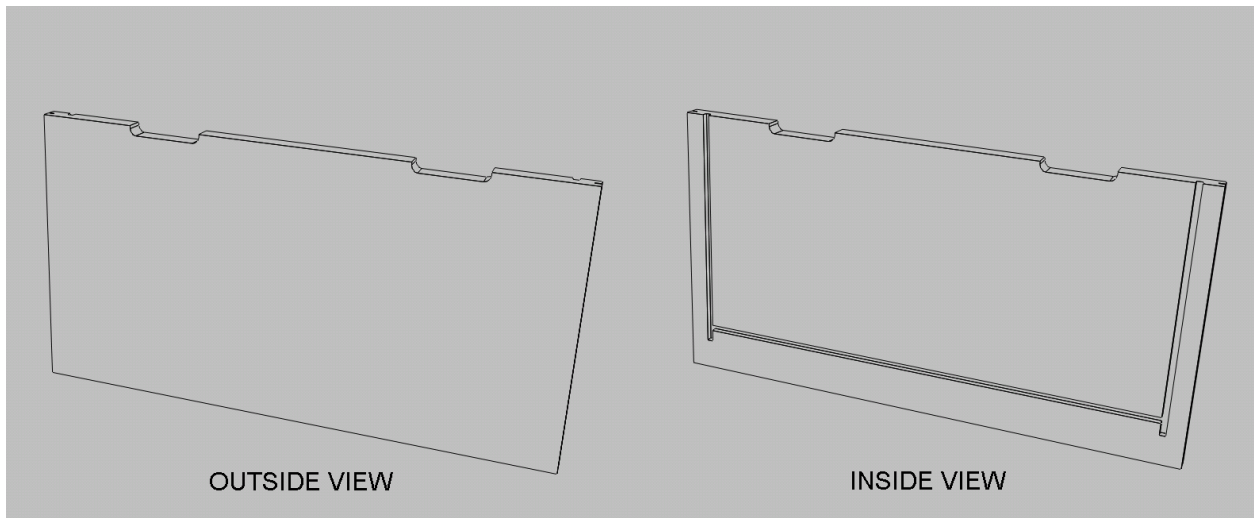
(REAR TOP)



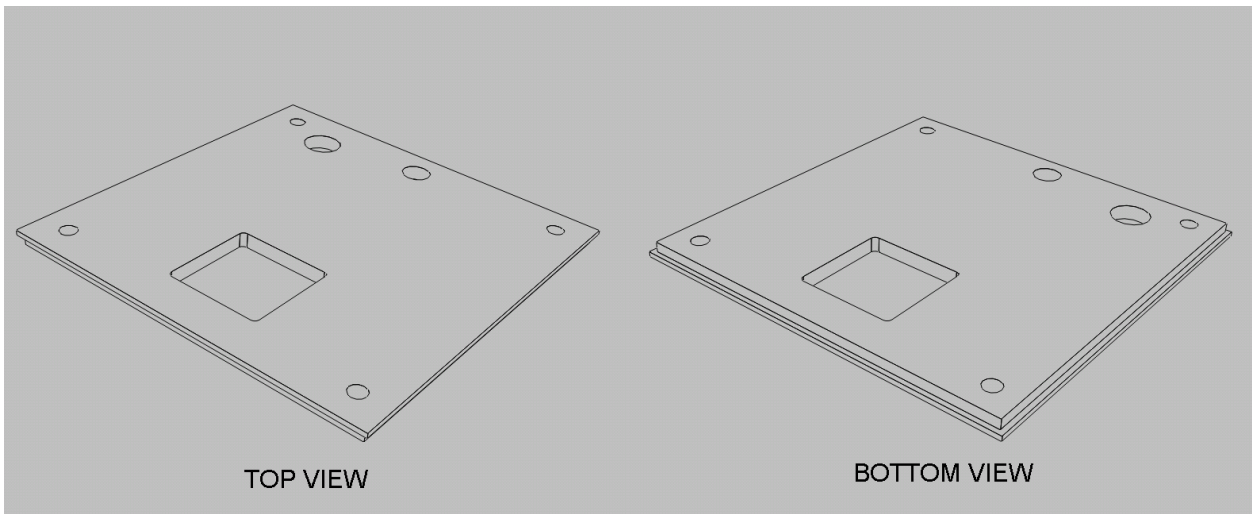
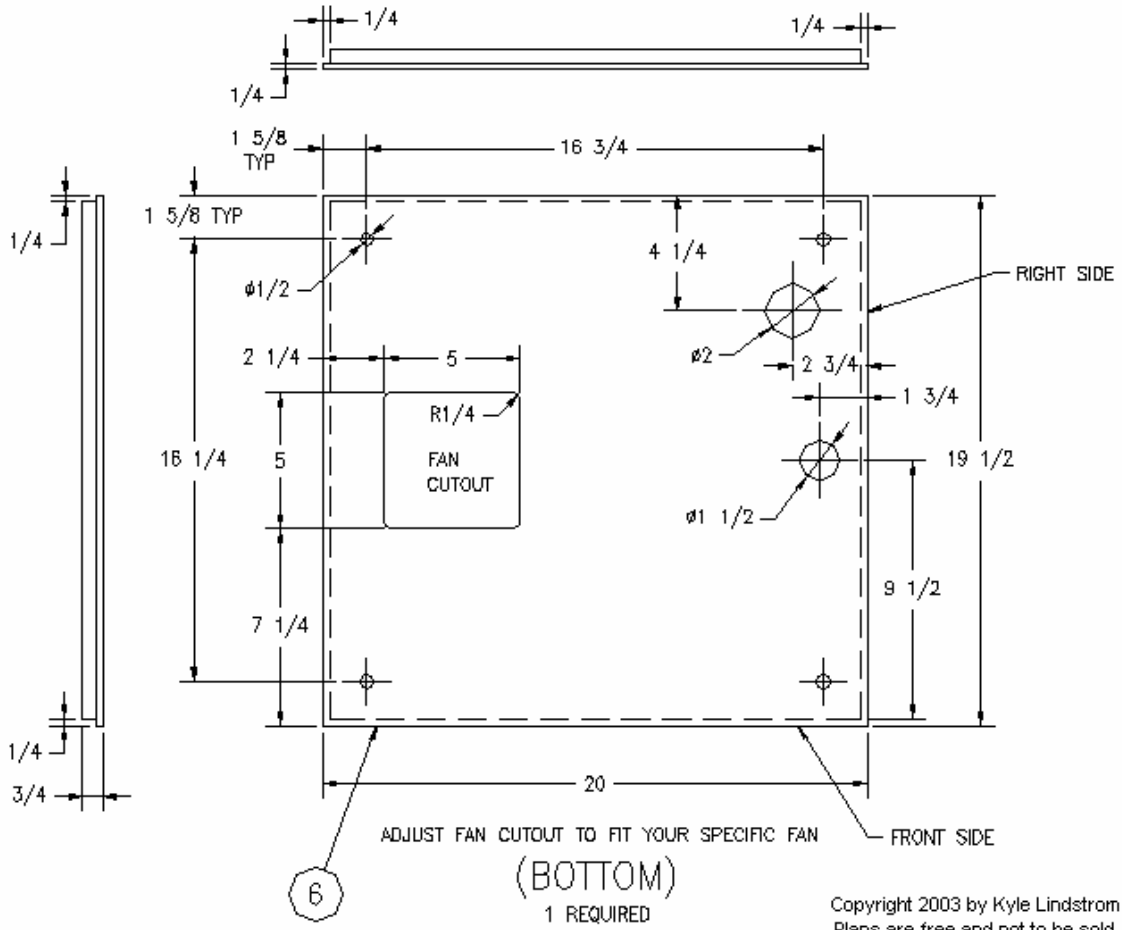
DETAIL OF ITEM 5



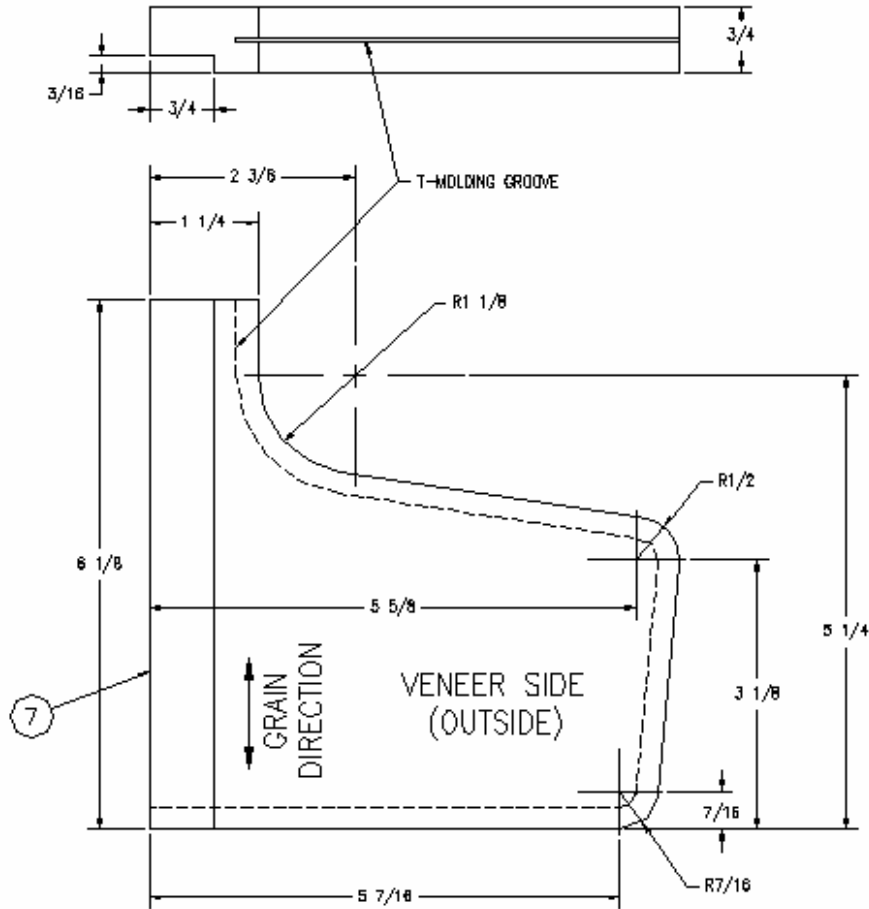
(REAR BOTTOM)



DETAIL OF ITEM 6

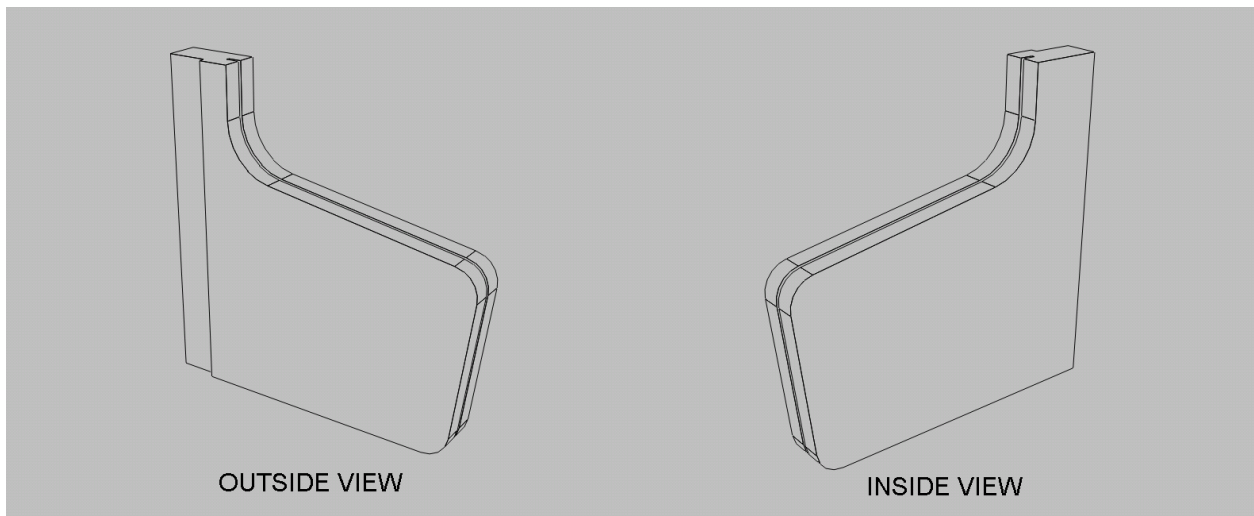


DETAIL OF ITEM 7

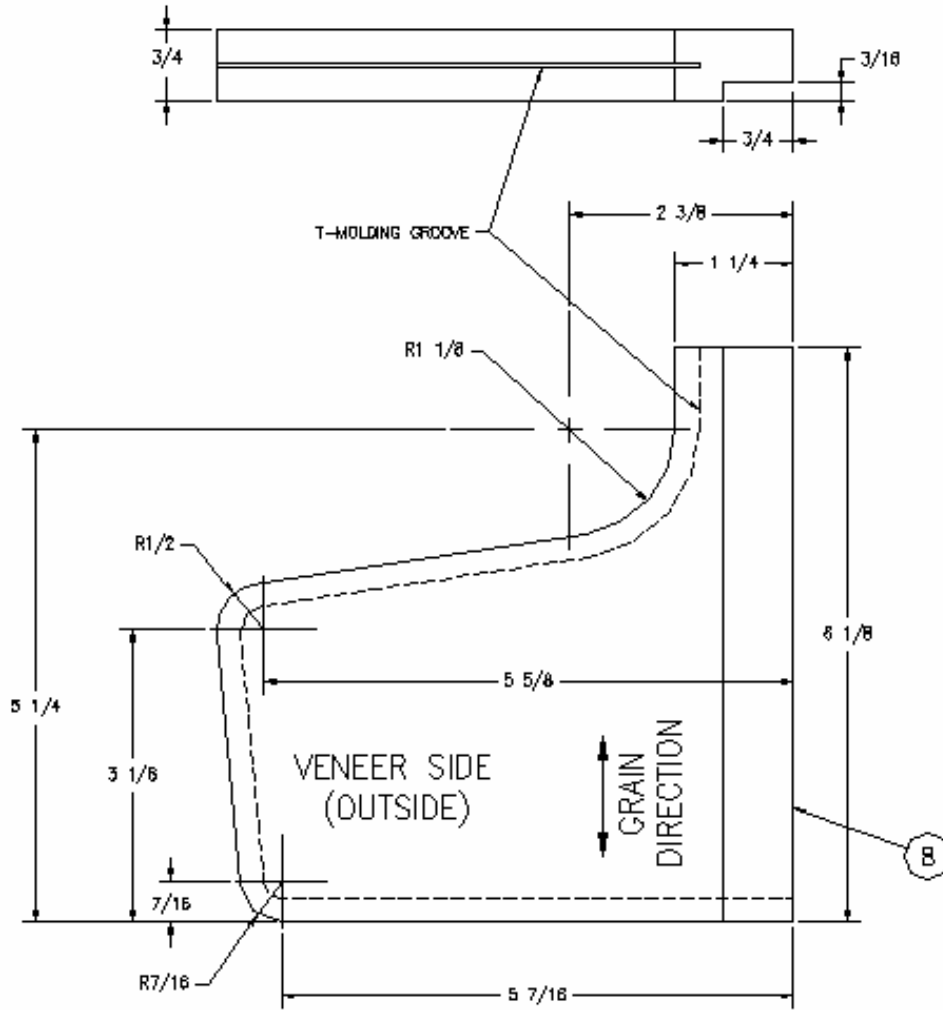


LEFT SIDE CONTROL PANEL
2 REQUIRED

Copyright 2003 by Kyle Lindstrom
Plans are free and not to be sold

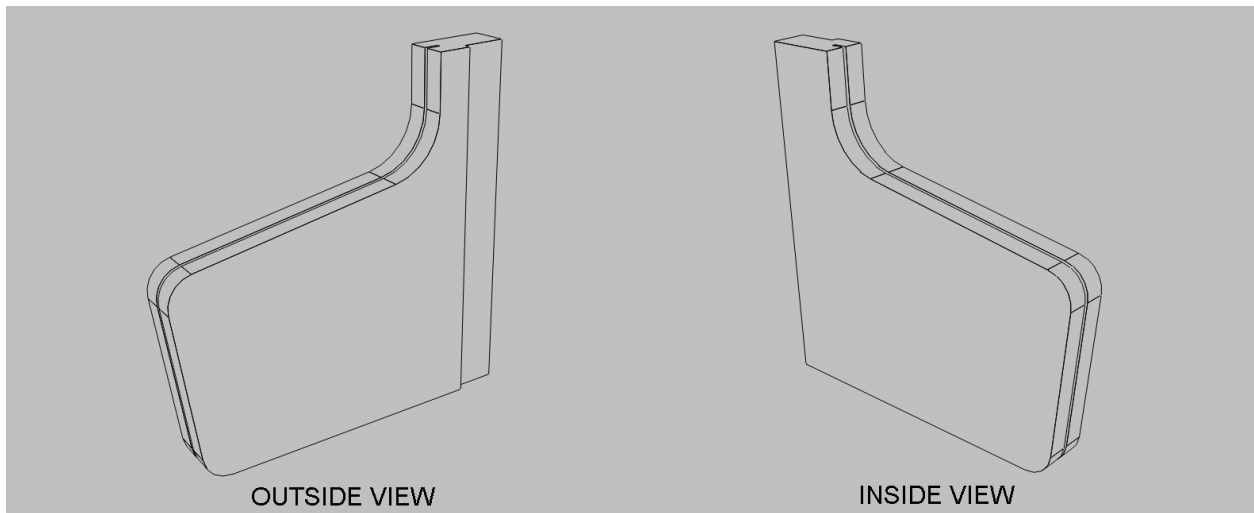


DETAIL OF ITEM 8

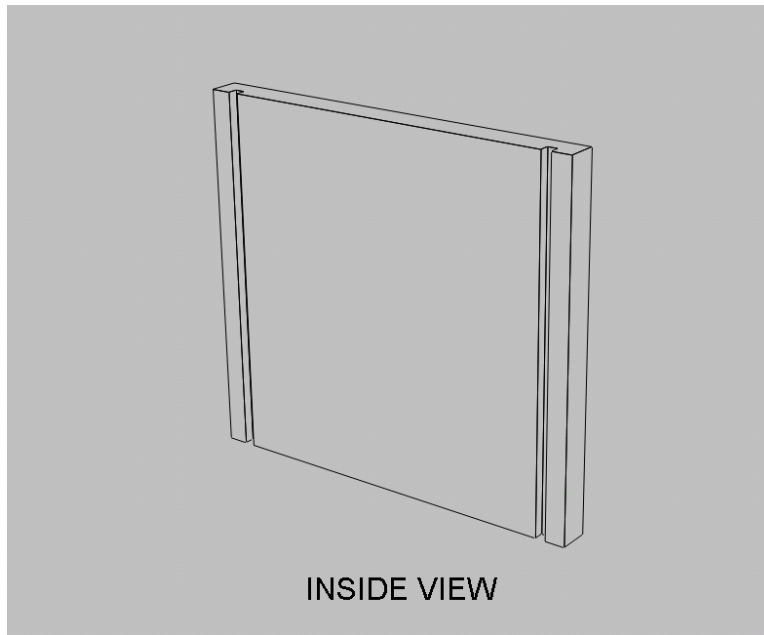
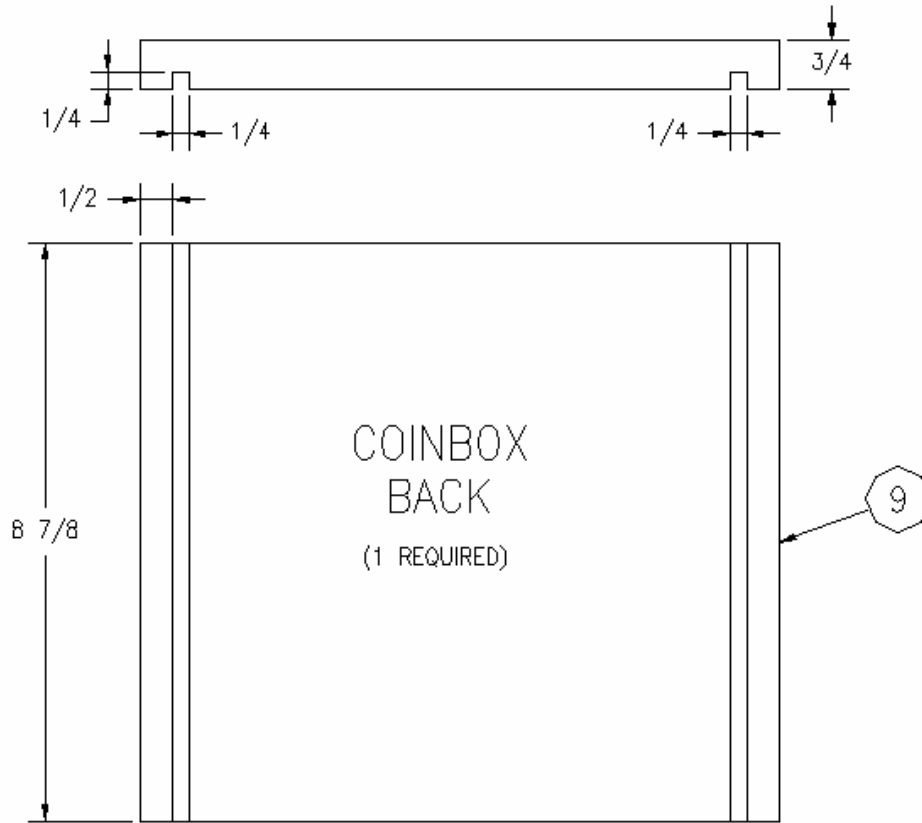


RIGHT SIDE CONTROL PANEL

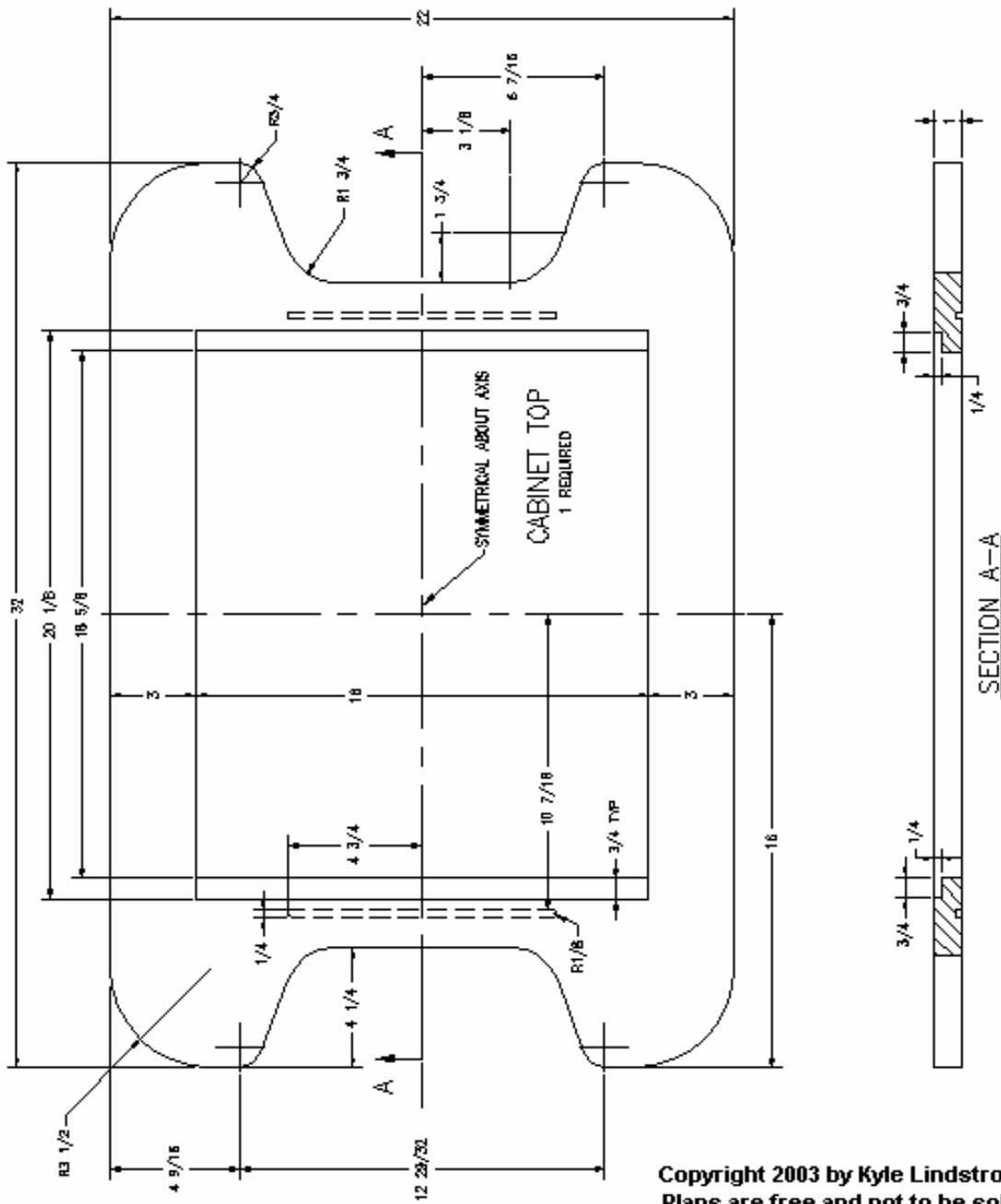
2 REQUIRED

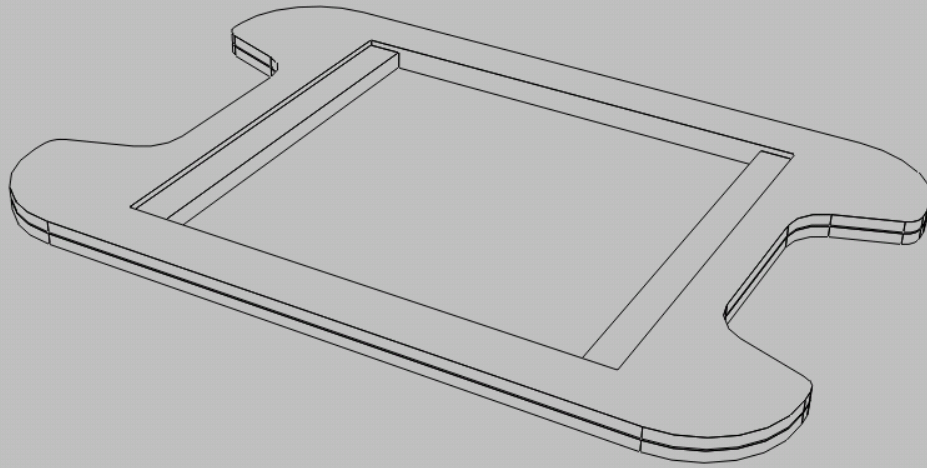


DETAIL OF ITEM 9

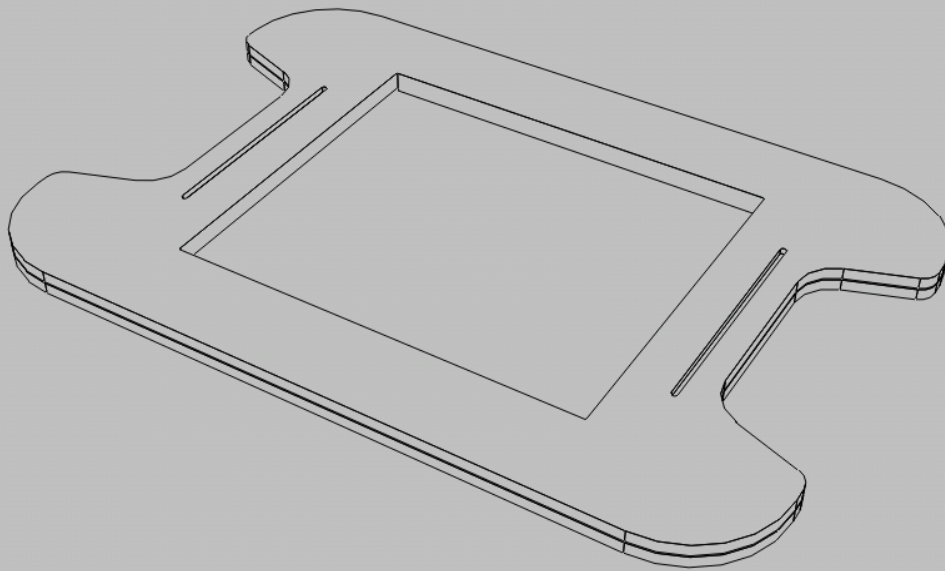


DETAIL OF ITEM 10



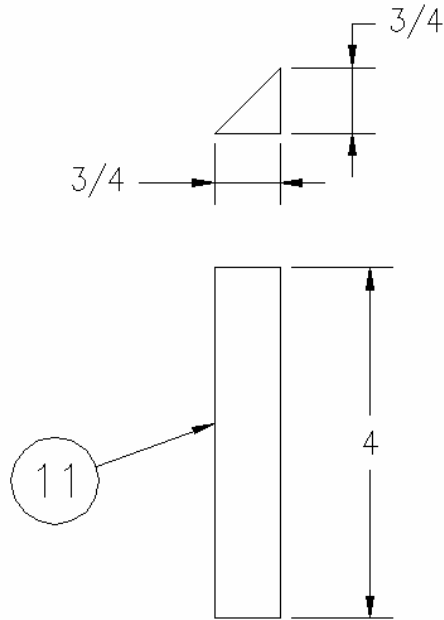


TOP VIEW



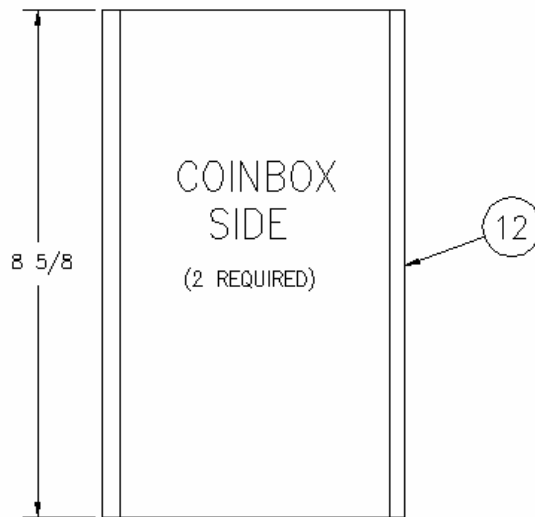
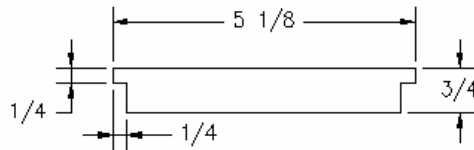
BOTTOM VIEW

DETAIL OF ITEM 11



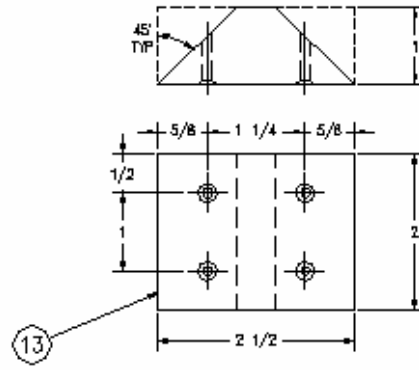
Copyright 2003 by Kyle Lindstrom
Plans are free and not to be sold

DETAIL OF ITEM 12

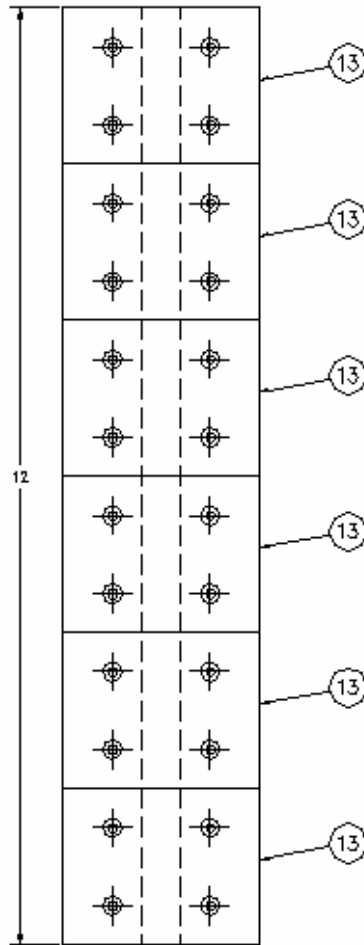


Copyright 2003 by Kyle Lindstrom
Plans are free and not to be sold

DETAIL OF ITEM 13

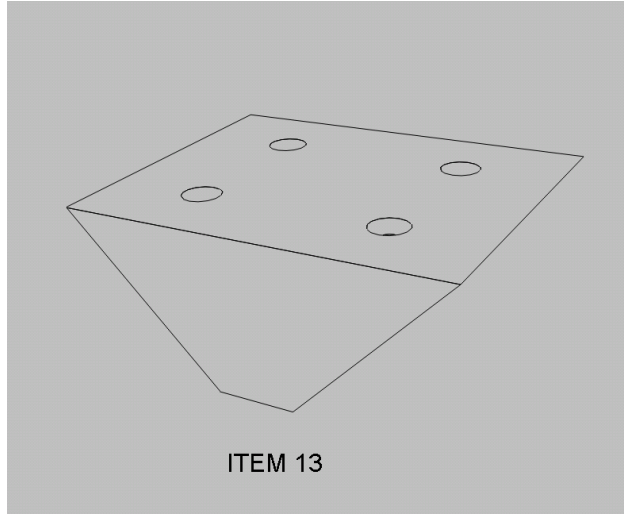


CORNER GUSSET
6 REQUIRED

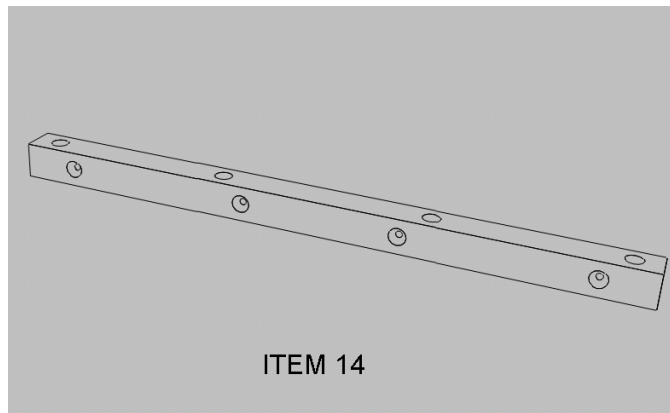
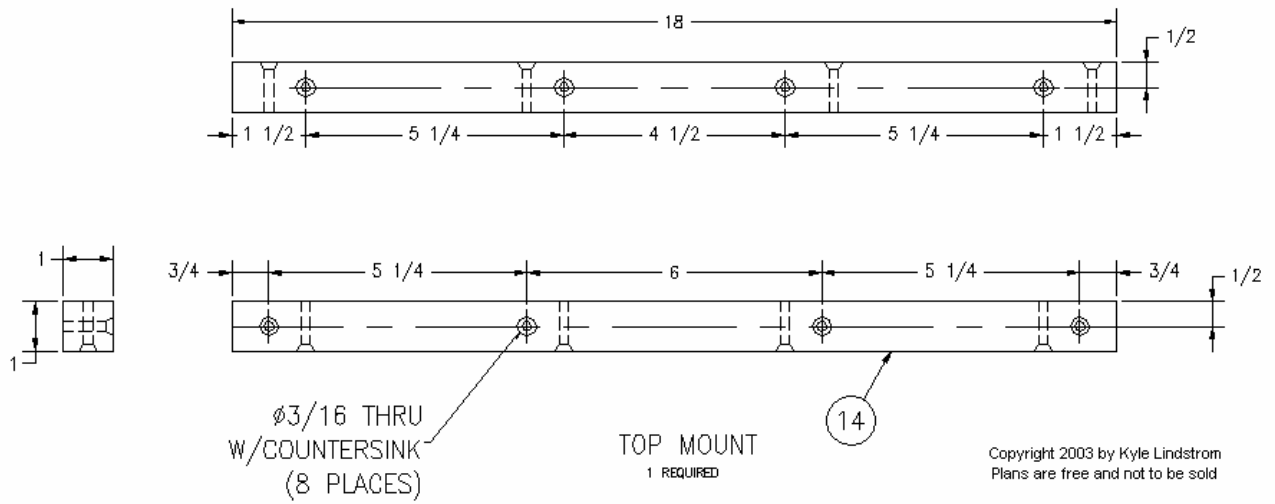


MAKE (6) ITEMS 13 AT ONE TIME.
(AS SHOWN ABOVE)
CHAMFER CORNERS AFTER DRILLING
THEN SEPARATE INTO 6 PIECES

Copyright 2003 by Kyle Lindstrom
Plans are free and not to be sold

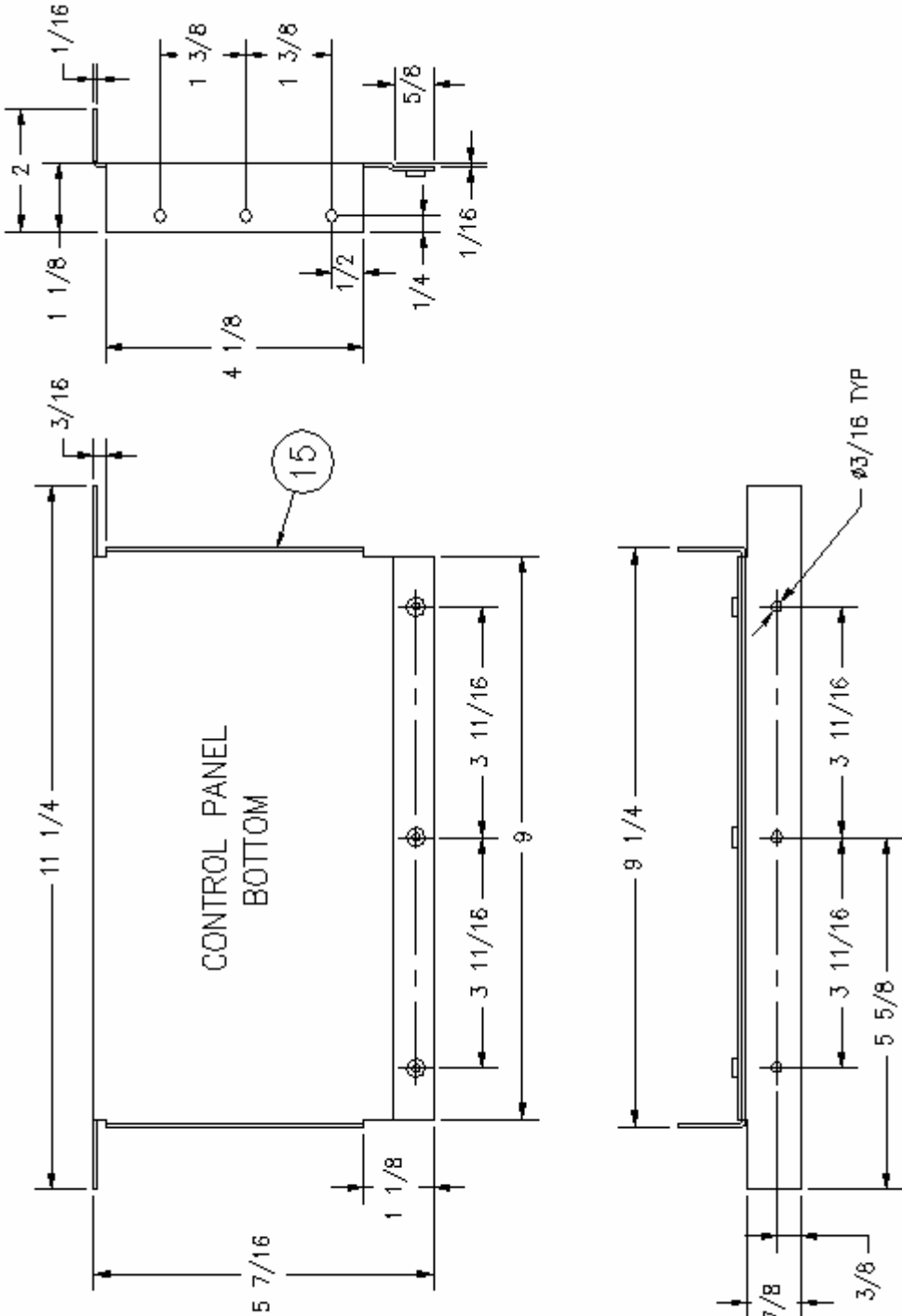


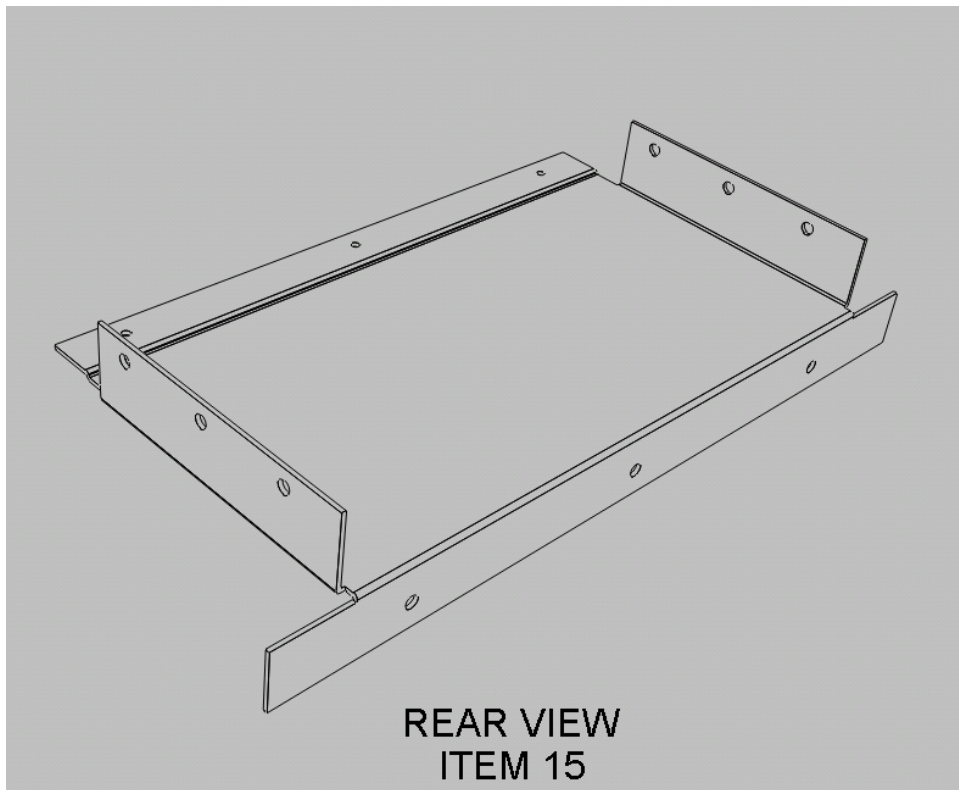
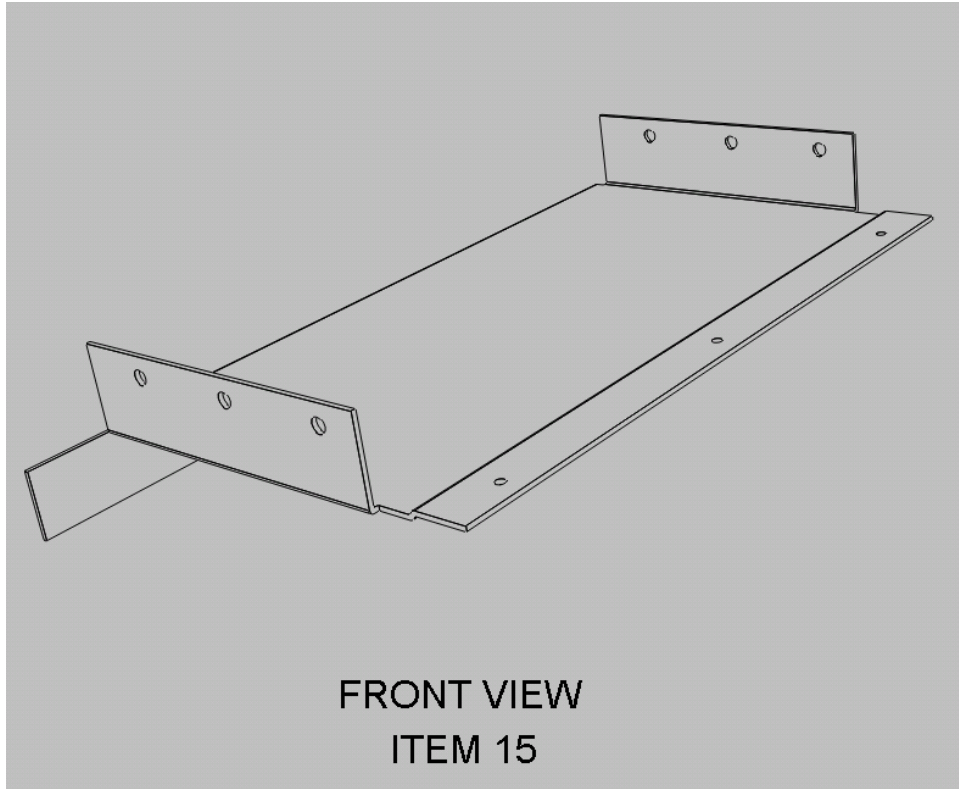
DETAIL OF ITEM 14



DETAIL OF ITEM 15

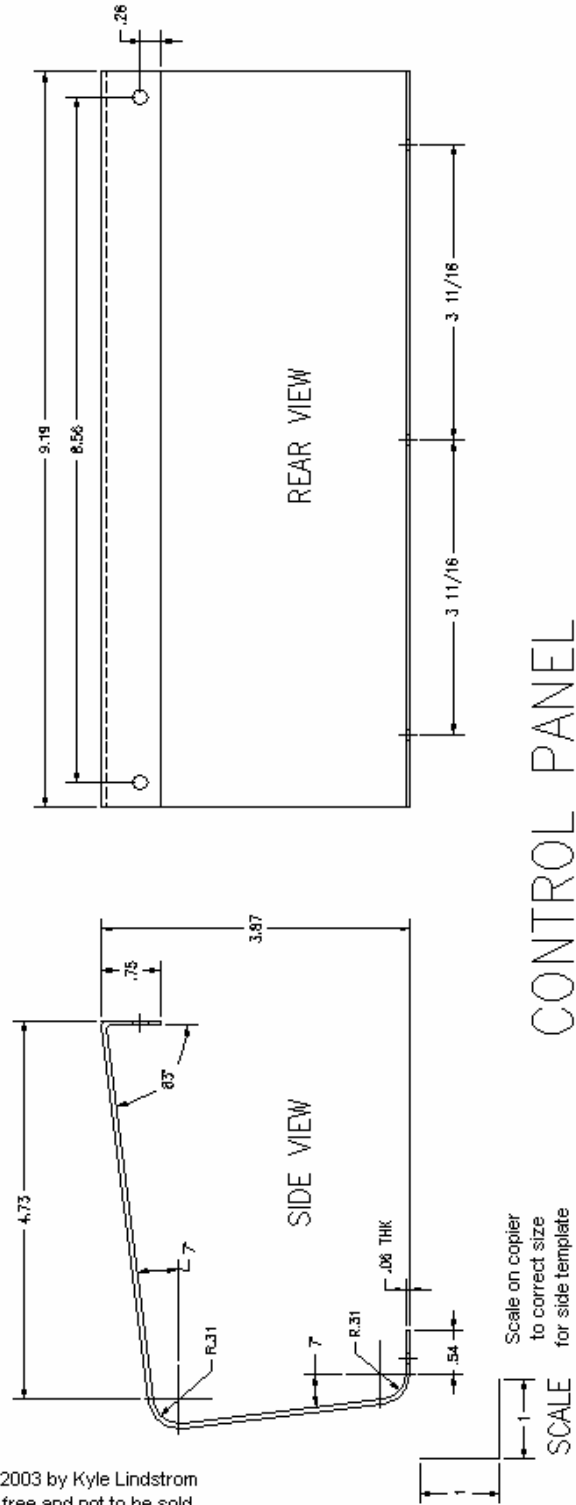
(This should be a purchased part, design shown for reference)

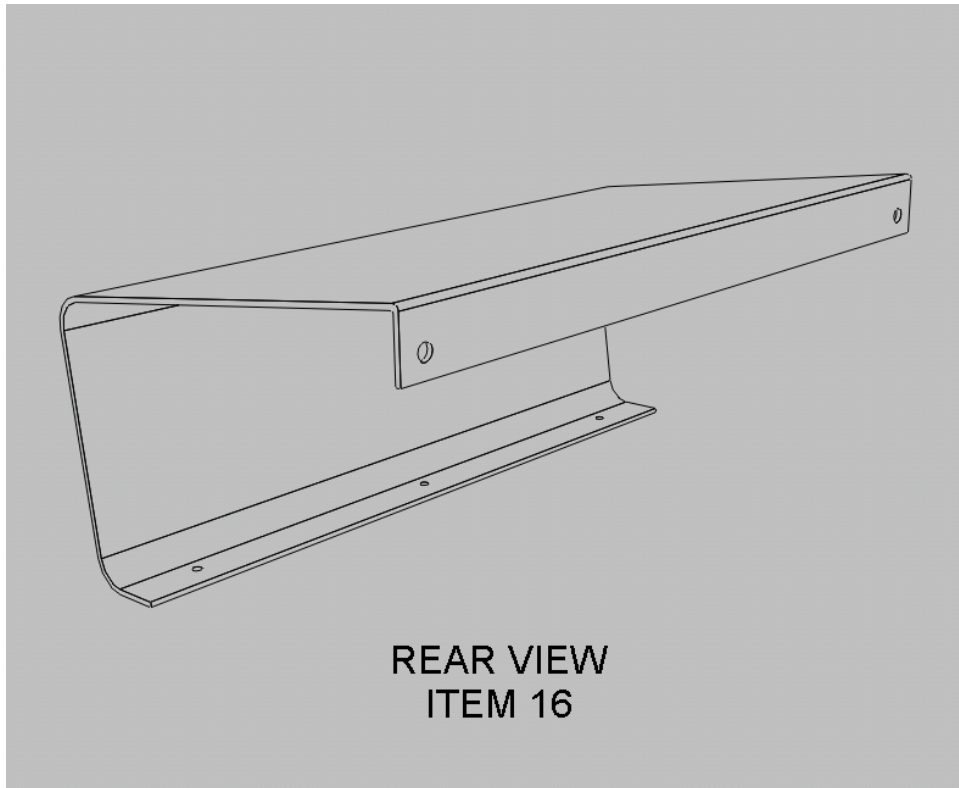
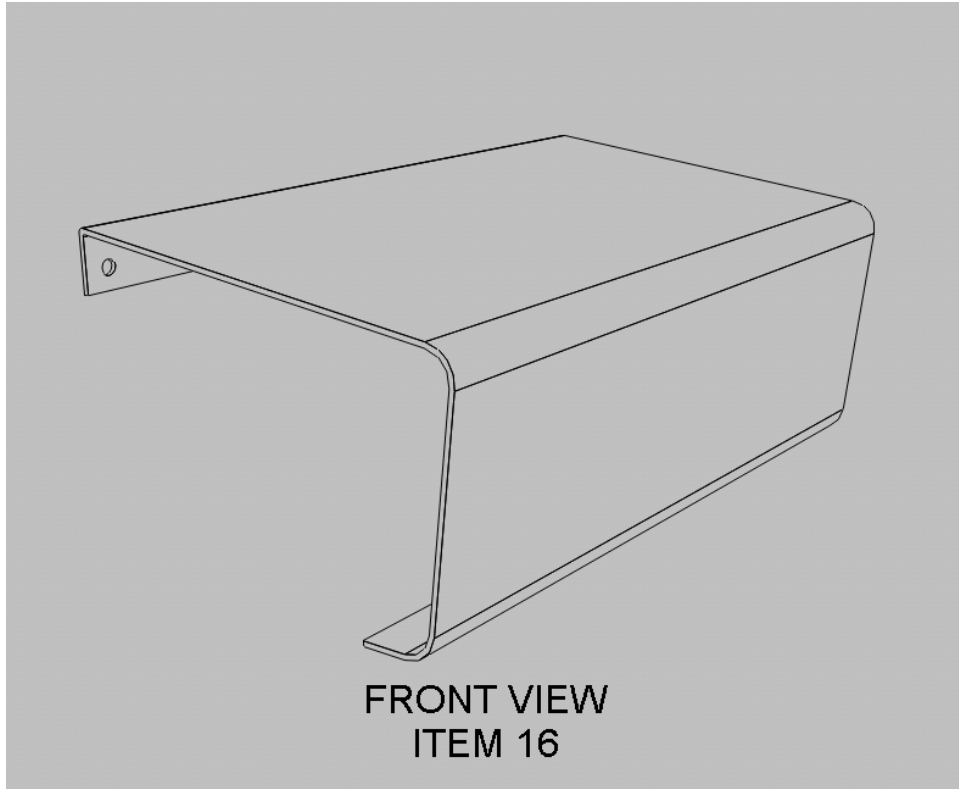




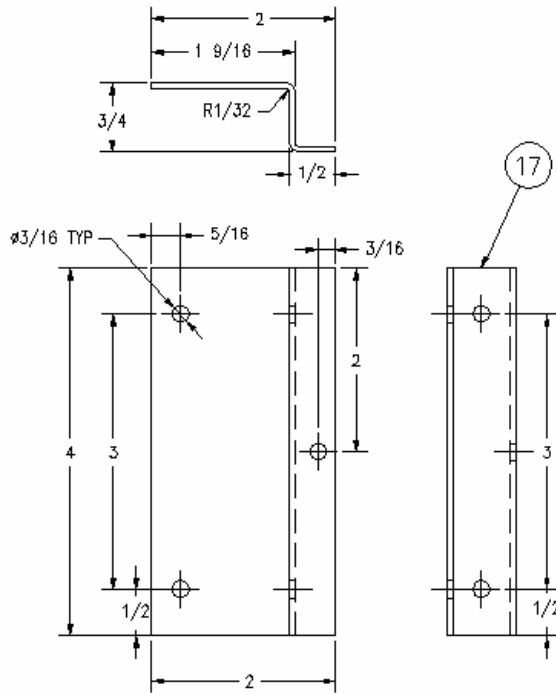
DETAIL OF ITEM 16

(This should be a purchased part, design shown for reference)





DETAIL OF ITEM 17



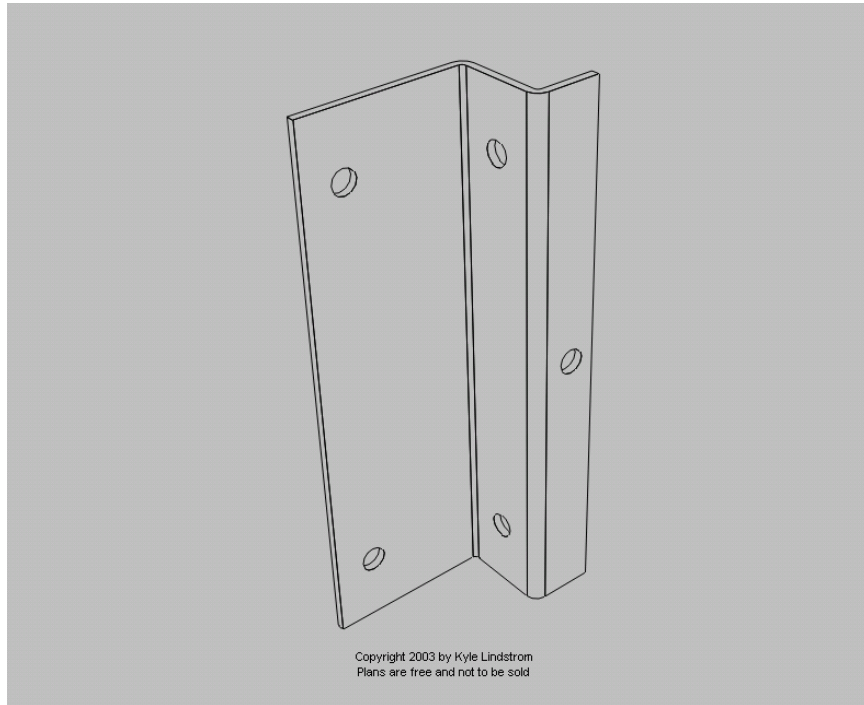
MAKE FROM METAL: STEEL, BRONZE, ETC...

CONTROL PANEL BRACKET

Copyright 2003 by Kyle Lindstrom
Plans are free and not for sale

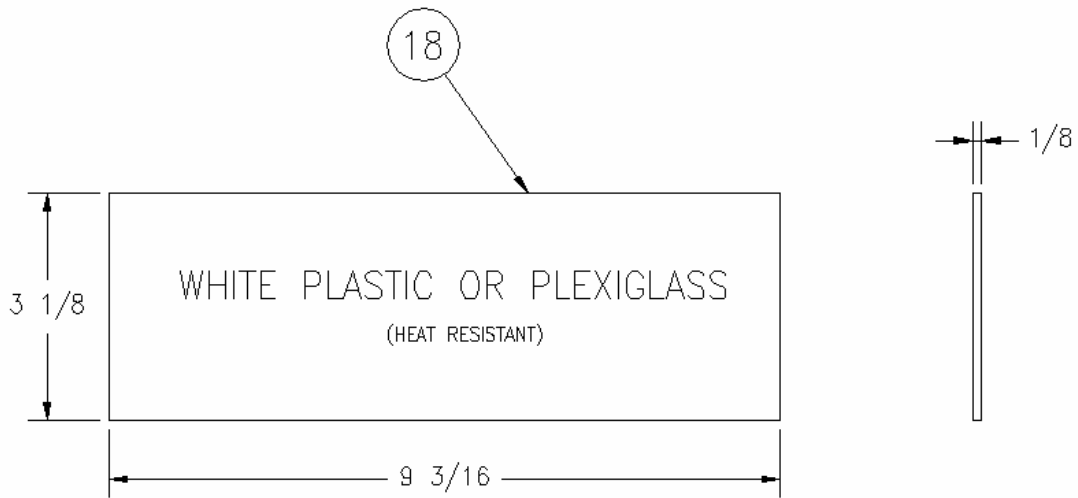
4 REQUIRED

This is known as a "Z" bracket and can be purchased



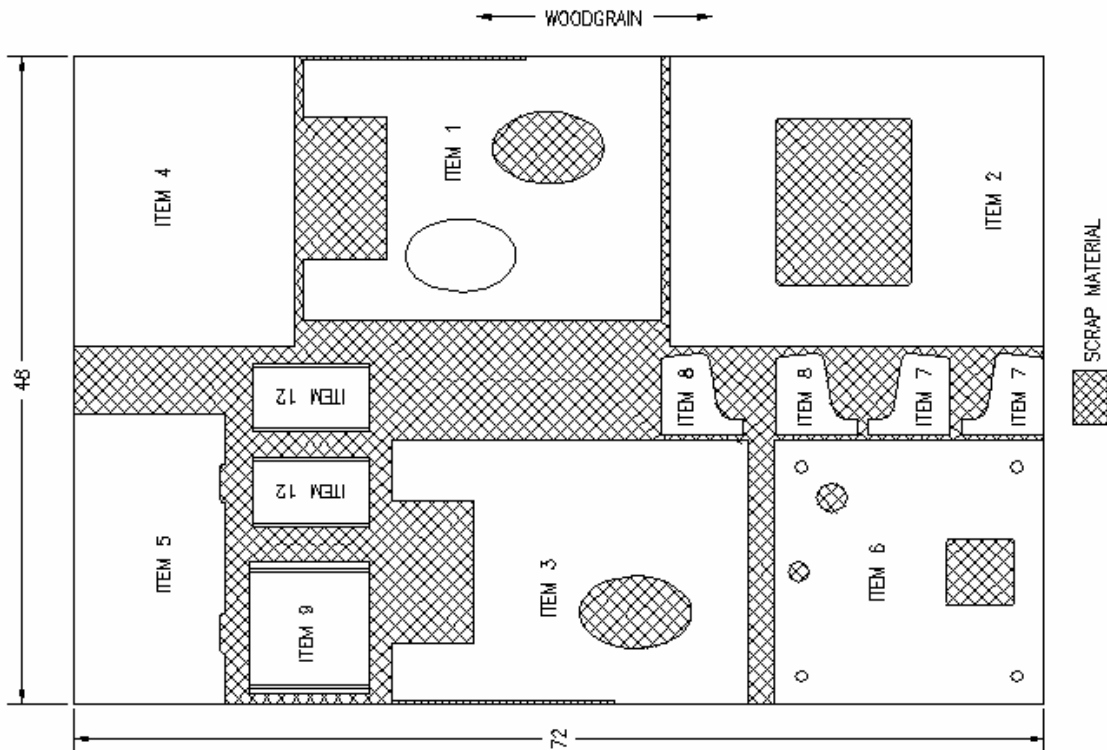
Copyright 2003 by Kyle Lindstrom
Plans are free and not to be sold

DETAIL OF ITEM 18



CONTROL PANEL BACKGLASS

2 REQUIRED



LAYOUT FOR CUTTING PARTS

Notes:

Please note the direction of the grain when cutting out your parts. One part cut with the grain in the wrong direction can really ruin your day.

When cutting the opening for the monitor in the top (Item 10) make sure your dimensions are correct and centered. The monitor fits inside the cabinet with very little room for error. If you're off too much your monitor might not fit properly in the cabinet.

Cut the control panel sides a little large. Clamp 2 of them together and sand them so they have the same shape before cutting the T-molding grooves.

The plans call out for 3/4" oak veneer plywood. This type of plywood can vary in thickness. Typically it's 1/32" underside but can be as much as 1/16" underside. If your lucky it could actually be 3/4" thick.

3/4" T-molding is actually 3/4" so if using 3/4" plywood it will extend anywhere from 1/64 to 1/32 over the sides. The T-molding can be reduced to size by inserting it into a scrap piece of plywood with the exact same T-molding groove cut in it as the rest of the cabinet. Insert the T-molding and lightly touch the edges with a sander until it is flush with the wood. When it's at the correct width it can be removed from the scrap piece and installed into the cabinet.

Cut all your pieces and test fit them before assembly. Once you know the parts are correct and fit properly, cut the T-molding grooves in the parts at the same time. Take your time setting up the router depth for the T-molding cutter. If your off it will definitely be noticed when you install your T-molding. I suggest you do a few sample cuts in scrape plywood first to get the correct depth.

The Cabinet built by Chris Moore was constructed from 3/4" birch veneer plywood and then had a laminate applied to the outside. It was a wood grain laminate, not vinyl, similar to a formica kitchen countertop. Stuff is commonly sold at Home Depot and Menards. Home Depot sells it in 1/3 or 1/4 sheet sizes which what I bought. The material is about 1/16 thick and needs to be applied with contact cement...same way as the original mfg process. Once applied it has to be routed flush to the wood blanks. Takes a bit of skill, not for the novice woodworker.

Have fun making your cabinet and let us know how yours turns out. Make sure to put "Cocktail Plans" in the subject line so your emails don't end up in juke mail.

Kyle Lindstrom lindstromk@hotmail.com

Chris Moore cnlmoore@hotmail.com